



ROYAL DIAMOND

your insulation partner



Electric Motor

We design, formulate and customize resins, varnishes and flexible laminates
for Electric Motor

Our Know-how after more than 50 years in this Market allows us to design and develop close to our Clients customized solutions of electrical insulation wedge groove and closure systems and interphase materials. Thanks to this selection of flexible laminates, varnishes and resins we offer a perfect solution for electrical insulation in Motor for Wind, Aerospace, Railway, Marine and Domestic use sectors.

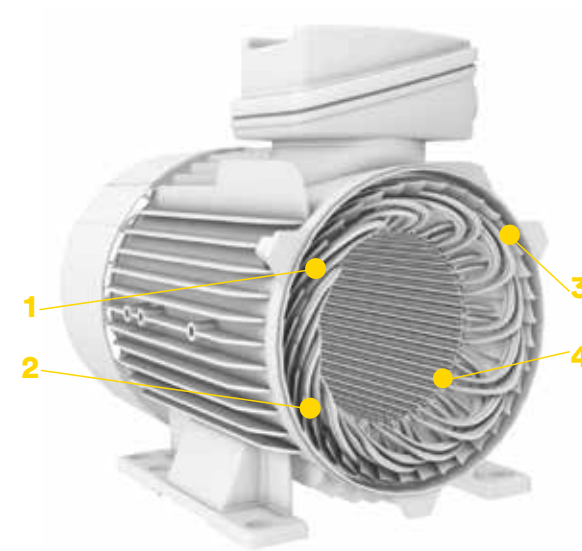
Electric Motor

We know perfectly that our system of electrical insulation products offers to OEM's Motor the following properties:

- High Level Electrical Insulation
- Wide range thickness
- High Thermal dissipation
- Thermal Class B, F and H materials
- Easy air drying

To cover all these properties we offer flexible laminates for groove and closure need and porous flexible laminates for inter-phase solutions. Our wide range of Epoxy and Polyurethane Resins allows you to encapsulate the coil heads. In addition to our electroenamels products are recommended for finishing insulation varnished.

This set of customized materials according to impregnation, filling, encapsulating and finishing need and combined with our flexible laminates guarantees great results for our Partners. You also find some auxiliar products to reinforce in protection and finishing and improving thermal conductivity in the Motor.



1. Electroenamels
2. Impregnation Varnishes
3. Interphase
4. Groove and closure materials

RESINS

	Product	Chemical Nature	Thermal Class	Drying Method
ENCAPSULATION AND FILLING	ROYAPOX 5050CD	EPOXY	B/F (130/155°C)	AIR
	ROYAPOX 959 (UL)	EPOXY	B (130°C)	AIR
IMPREGNATION	ROYAPOX 511	EPOXY	F (155°C)	AIR
	ROYAPOX 512	EPOXY	F (155°C)	OVEN
	ROYAPOX 915	EPOXY SOLVENTLESS	H (180°C)	OVEN
	DIAPOL 790SL (UL)	POLYESTER SOLVENTLESS	H (180°C)	OVEN
	DIAPOL 788/200	POLYESTERIMIDE	N (200°C)	OVEN
	DIASIL 1005	SILICONE	H (180°C)	AIR

VARNISHES

	Product	Chemical Nature	Thermal Class	Drying Method	Base
IMPREGNATION	ROYALAC 30	ALKYDIC	B (130°C)	AIR	SOLVENT
	ROYALAC 125	POLIISOCIATO	F (155°C)	AIR	SOLVENT
	ROYALAC 129	URETHANIC	F (155°C)	AIR	SOLVENT
	ROYALAC 158/4	UREA / FORMALDEHYDE	F (155°C)	OVEN	SOLVENT
	ROYALAC 521	ALKYDIC/EPOXY	F (155°C)	OVEN	SOLVENT
	ROYALAC 525MA	ALKYDIC/EPOXY	H (180°C)	OVEN	SOLVENT
	E-524TS (UL)	ALKYDIC/EPOXY	H (180°C)	OVEN	SOLVENT
	WE203 (UL)	ALKYDIC	H (180°C)	OVEN	WATER
	ROYALAC 210SR	SILICONE	H (180°C)	AIR/OVEN	SOLVENT
FINISH AND PROTECTION	ANTIFLASH G-142 (UL)	ALKYDIC/EPOXY	F (155°C)	OVEN	SOLVENT
	ANTIFLASH G-144 (UL)	ALKYDIC	F (155°C)	AIR	SOLVENT
	ANTIFLASH 505 (UL)	EPOXY	H (180°C)	AIR/OVEN	SOLVENT
	ANTIFLASH 214SR (UL)	ALKYDIC/SILICONE	H (180°C)	AIR/OVEN	SOLVENT

FLEXIBLE LAMINATES

	Product	Material	Thermal Class	Thickness
NOT IMPREGNATED	POLYESTER FILM	POLYESTER	B (130°C)	From 0,023 to 0,35 mm
	TERCOTT K	KRAFT	B (130°C)	From 0,03 to 0,30 mm
	TERCOTT CF	PRESSPAN	B (130°C)	From 0,15 to 0,40 mm
	TERCOTT MTS (UL)	DMD	B/F (130/155°C)	From 0,08 to 0,45 mm
	THERNOPHASE (UL)	DMD INTERPHASE	F (155°C)	From 0,30 to 0,40 mm
	TUFQUIN TFT (UL)	TUFQUIN BASED	H (180°C)	From 0,13 to 0,51 mm
	THERNOMID AFA (UL)	ARAMIDE BASED	H (180°C)	From 0,14 to 0,47 mm
	TUFQUIN TPiT (UL)	TUFQUIN BASED	N (200°C)	From 0,12 to 0,33 mm
	THERNOMID APiA (UL)	ARAMIDE BASED	N (200°C)	From 0,14 to 0,47 mm
	THERNOMID KRG	POLYIMIDE GLASS	S (240°C)	From 0,12 to 0,24 mm
IMPREGNATION	TRIPLEX F 20.08 (UL)	DMD IMPREGNATED	F (155°C)	From 0,15 to 0,45 mm
	THERNOMID 10.04VF	DM IMPREGNATED	F (155°C)	From 0,15 to 0,30 mm



ROYAL DIAMOND
your insulation partner

Our values:

Tradition

More than 50 years dedicated to electrical insulation for different sectors. A combination of values, experience and know-how make us your best partner for your electrical insulation needs.

Customization

We understand electrical insulation like a system integrated of resins, varnishes and flexible laminates as individually designed for any sector and Client.

Human Team

Our Team is made up of more than 50 people who transmit naturally the values of the company.

Quality

The quality in our company and our products is a must and we work under ISO 9001:2015 certification.

Our target is to be your best **partner** to create great projects together.

Camí del Cementiri, 2 (Pol. Ind. Can Ribot) | 08319 Dosrius (Barcelona) España
T: +34 937 918 006 | e-mail: royaldiamond@royal-insulation.com

Pirineos, 515 Int. 47 (Parque Industrial Benito Juárez) | 76120 Querétaro (QRO.) México
T: +52 442 209 5172 | e-mail: mexico@royal-insulation.com

www.royal-insulation.com