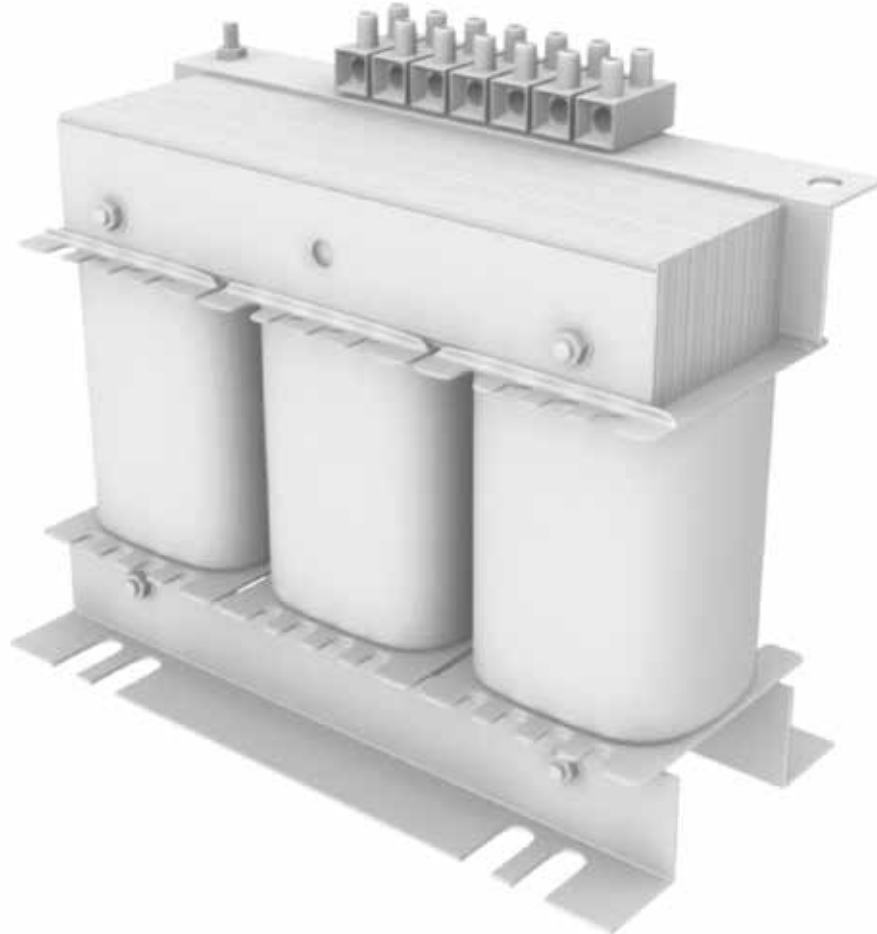




ROYAL DIAMOND

your insulation partner



General Transformer

We design, formulate and costumize resins, varnishes and flexible laminates
for General Transformer

Our wide experience reached after all this time being close to our Clients (PARTNERS) in Transformer Market allows us to design and develop systems of electrical insulation for any industrial sectors.

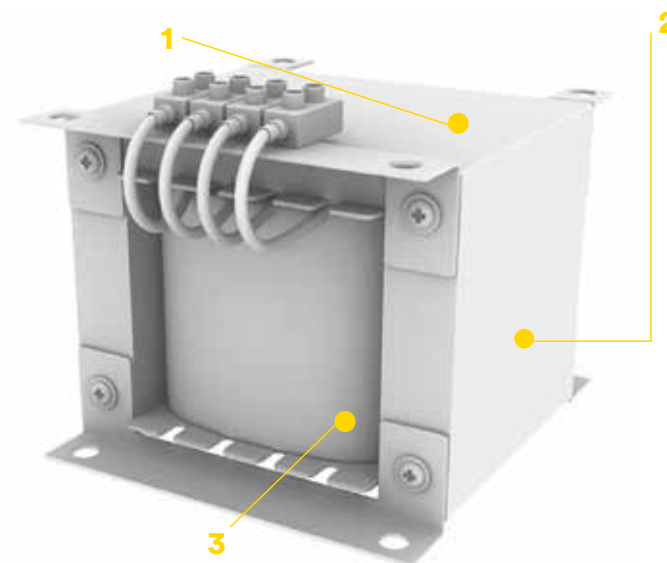
General Transformer

Transformers like Autotransformers, Inductances, Three-phase and Toroidal type need an electrical insulation system with the following properties:

- High dielectric strength and electrical insulation
- Good heat dissipation
- Resistance to external elements (changes in temperature, humidity, oil, dust, etc.)
- Maximum use for adaptation to the design and mechanical construction of the systems
- Chemical and mechanical resistance

Royal Diamond designs and manufactures a wide range of products which offer all of these properties and the following functions :

- Insulation between phases and coils with flexible insulating laminates
- Protection by impregnation and finishing varnishes and resins
- Protection by potting and filling resins
- Adhesive tapes



1. Varnish and resin for impregnation
2. Potting resin
3. Flexible Laminates

RESINS

	Product	Chemical Nature	Thermal Class	Drying Method
ENCAPSULATION AND FILLING	DIAPOL 507	POLYURETHANE	B (130°C)	AIR
	DIAPOL 508	POLYURETHANE	B (130°C)	AIR
	DIAPOL 509	POLYURETHANE	B (130°C)	AIR
	DIAPOL 509FG AUTOEXTINGUIBLE (UL)	POLYURETHANE	B (130°C)	AIR
	ROYAPOX 5050CD	EPOXY	B/F (130/155°C)	AIR
	ROYAPOX 959 (UL)	EPOXY	B (130°C)	AIR
	ROYAPOX 502F (UL)	EPOXY	H (180°C)	OVEN
	ROYAPOX 502FC	EPOXY	H (180°C)	OVEN
IMPREGNATION	ROYAPOX 511	EPOXY	F (155°C)	AIR
	ROYAPOX 915	EPOXY SOLVENTLESS	H (180°C)	OVEN
	DIAPOL 790SL (UL)	POLYESTER SOLVENTLESS	H (180°C)	OVEN
	DIAPOL 788/200	POLYESTERIMIDE	N (200°C)	OVEN

VARNISHES

	Product	Chemical Nature	Thermal Class	Drying Method	Base
IMPREGNATION	ROYALAC 30	ALKYDIC	B (130°C)	AIR	SOLVENT
	ROYALAC 129	URETHANIC	F (155°C)	AIR	SOLVENT
	ROYALAC 158/4	UREA / FORMALDEHYDE	F (155°C)	OVEN	SOLVENT
	ROYALAC 521	ALKYDIC/EPOXY	F (155°C)	OVEN	SOLVENT
	ROYALAC 525MA	ALKYDIC/EPOXY	H (180°C)	OVEN	SOLVENT
	E-524TS (UL)	ALKYDIC/EPOXY	H (180°C)	OVEN	SOLVENT
	WE203 (UL)	ALKYDIC	H (180°C)	OVEN	WATER
FINISH AND PROTECTION	ANTIFLASH G-142 (UL)	ALKYDIC/EPOXY	F (155°C)	OVEN	SOLVENT
	ANTIFLASH G-144 (UL)	ALKYDIC	F (155°C)	AIR	SOLVENT
	ANTIFLASH 505 (UL)	EPOXY	H (180°C)	AIR/OVEN	SOLVENT
	ANTIFLASH 214SR (UL)	ALKYDIC/SILICONE	H (180°C)	AIR/OVEN	SOLVENT

FLEXIBLE LAMINATES

	Product	Material	Thermal Class	Thickness
NOT IMPREGNATED	POLYESTER FILM	POLYESTER	B (130°C)	From 0,023 to 0,35 mm
	TERCOTT MTS (UL)	DMD	B/F (130/155°C)	From 0,11 to 0,45 mm
	TUFQUIN TFT (UL)	TUFQUIN BASED	H (180°C)	From 0,13 to 0,51 mm
	THERNOMID AFA (UL)	ARAMIDE BASED	H (180°C)	From 0,14 to 0,47 mm
	TUFQUIN TPiT (UL)	TUFQUIN BASED	N (200°C)	From 0,12 to 0,32 mm
	THERNOMID APiA (UL)	ARAMIDE BASED	N (200°C)	From 0,13 to 0,30 mm
IMPREGNATION	THERNOMID 10.04VF	DM IMPREGNATED	F (155°C)	From 0,06 to 0,30 mm
	TRIPLEX F 20.08 (UL)	DMD IMPREGNATED	F (155°C)	From 0,13 to 0,45 mm



ROYAL DIAMOND
your insulation partner

Our target is to be your best **partner** to create great projects together.

Camí del Cementiri, 2 (Pol. Ind. Can Ribot) | 08319 Dosrius (Barcelona) España
T: +34 937 918 006 | e-mail: royaldiamond@royal-insulation.com

Pirineos, 515 Int. 47 (Parque Industrial Benito Juárez) | 76120 Querétaro (QRO.) México
T: +52 442 209 5172 | e-mail: mexico@royal-insulation.com

www.royal-insulation.com

Our values:

Tradition

More than 50 years dedicated to electrical insulation for different sectors. A combination of values, experience and know-how make us your best partner for your electrical insulation needs.

Customization

We understand electrical insulation like a system integrated of resins, varnishes and flexible laminates as individually designed for any sector and Client.

Human Team

Our Team is made up of more than 50 people who transmit naturally the values of the company.

Quality

The quality in our company and our products is a must and we work under ISO 9001:2015 certification.